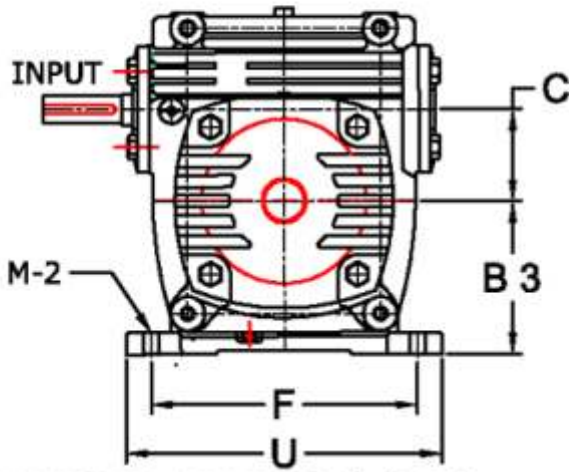


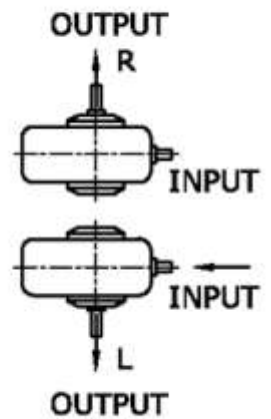
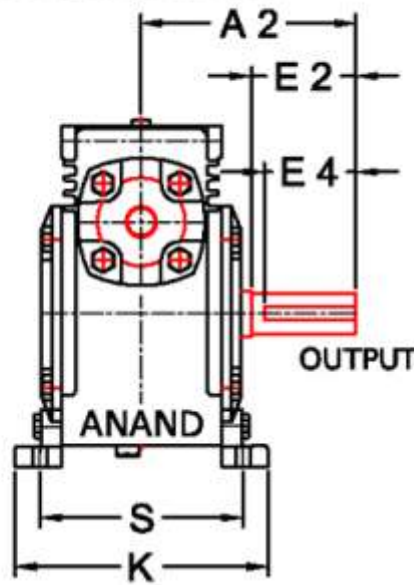
WORM REDUCERS ADAPTABLE TYPE

ANAND GEARS MUMBAI.

OVERDRIVEN BY USE OF
FOOT NO. "A"



PRINCIPAL DIMENSIONS (M.M.)



SHAFT HANDLING
ADAPTABLE &
OVERDRIVEN.

OVERALL DIMS.			OUTPUT DETAILS.					INPUT DETAILS.					MOUNTING DETAILS.							
C	A1	A2	D2	E2	E4	V2	W2	D1	E1	E3	V1	W1	B2	B3	K	M2	F	S	U	T
30	93	84	16	35	30	13	5	11	29	24	8.5	4	52	58	102	9	105	82	124	--
42	118	102	19	48	43	15.5	6	16	41	36	13	5	60	68	122	9	118	99	140	--
50	133	124	25	57	52	21	8	16	48	43	13	5	70	82	140	11	152	114	180	--
55	145	126	28	60	55	24	8	19	50	45	15.5	6	80	91	158	11	162	126	192	--
60	162	145	28	70	65	24	8	19	57	52	15.5	6	84	99	172	11	174	138	206	--
72	190	168	32	82	77	27	10	22	64	59	18.5	6	96	121	202	12.7	212	164	248	155
84	217	204	38	98	93	33	10	25	80	75	21	8	111	135	232	12.7	238	192	276	175
100	211	188	44	85	80	38.5	14	32	66	61	27	10	115	143	230	12.7	260	190	298	175

OVERALL DIMS.			OUTPUT DETAILS.					INPUT DETAILS.					MOUNTING DETAILS.							
C	A1	A2	D2	E2	E4	V2	W2	D1	E1	E3	V1	W1	B2	B3	K	M2	F	S	U	T
30	93	84	16	35	30	13	5	11	29	24	8.5	4	52	58	102	9	105	82	124	--
42	118	102	19	48	43	15.5	6	16	41	36	13	5	60	68	122	9	118	99	140	--
50	133	124	25	57	52	21	8	16	48	43	13	5	70	82	140	11	152	114	180	--
55	145	126	28	60	55	24	8	19	50	45	15.5	6	80	91	158	11	162	126	192	--
60	162	145	28	70	65	24	8	19	57	52	15.5	6	84	99	172	11	174	138	206	--
72	190	168	32	82	77	27	10	22	64	59	18.5	6	96	121	202	12.7	212	164	248	155
84	217	204	38	98	93	33	10	25	80	75	21	8	111	135	232	12.7	238	192	276	175
100	211	188	44	85	80	38.5	14	32	66	61	27	10	115	143	230	12.7	260	190	298	175